

# No-Touch XL Wall Mount



Featuring the same patent pending No-Touch technology as our standard size No-Touch mount, but specially engineered for larger, heavier screens, up to 130Kgs., with larger VESA patterns. No longer put any pressure on the screen to open or close the mount, ideal for recessed openings. Large comfortable handwheels for easy alignment and access to the screen, convenient built-in equipment rack for quickly connecting any additional devices, 8 point Micro-adjustment, White finish for more contrast and better visibility during installation and servicing, centrally located X-arm design makes access easier and increases available wall space. AlpsAV, the next generation of screen mounts - designed to exceed.

Patent Pending

In/Out/Stop/Reverse

No-Touch

8-point Micro-Adjust

White Finish

Impact Detection

Easy Access

- » Patent Pending No-Touch XL mount.
- » Move In, Out, Stop and Reverse as you choose.
- » No-Touch means no risk of damaging screen, and no fingerprints to clean.
- » 8-point Micro-Adjust using large, comfortable handwheels, no tools required.
- » White finish increases contrast and visibility for faster and easier installations.
- » Impact detection for additional safety.
- » Redundant back-up release for extreme reliability.
- » Central column design makes side access open and easy, increasing available wall space.
- » Simply power-off to lock in position.
- » Portrait or Landscape orientation.
- » All screen mounting hardware and spacers included.
- » Cable ties and perforated mounting plate included.
- » VESA 1000 x 600 mm (P) or 800 x 1000 mm (L) adaptor included.
- » 65" screens and large up to 130Kgs/280lbs

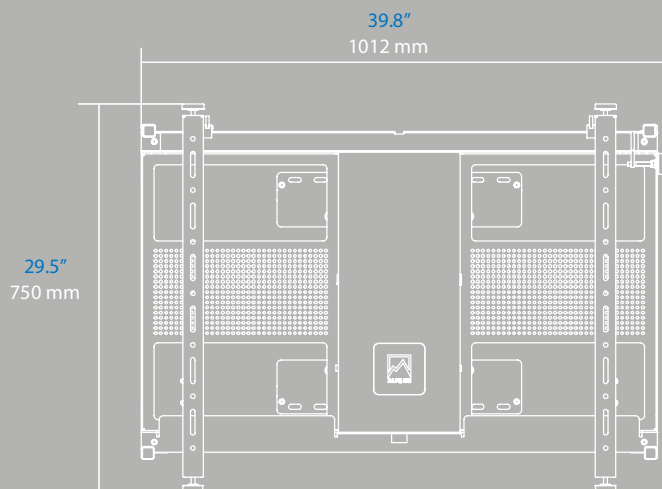


**RoHS**  
2002/95/EC

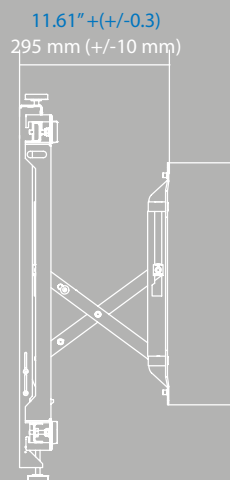
**AVIXA**

**CEDIA**  
CUSTOM  
ELECTRONIC  
DESIGN &  
INSTALLATION  
ASSOCIATION

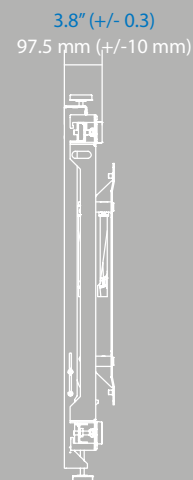
# No-Touch XL Wall Mount



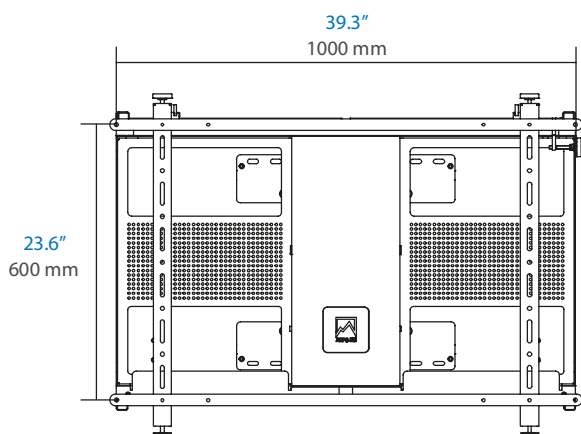
FRONT



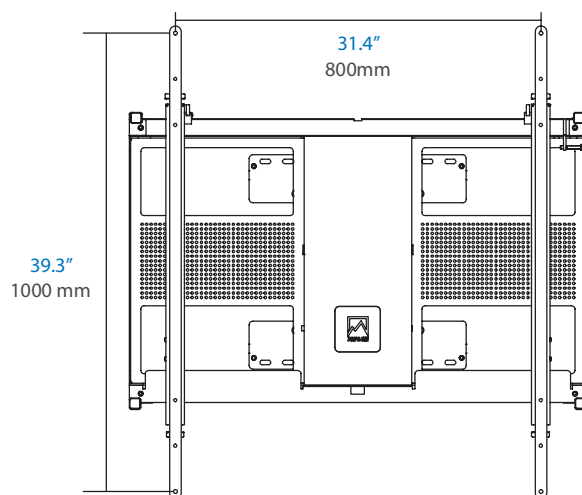
SIDE VIEW OPEN



SIDE VIEW CLOSED



FRONT VIEW LANDSCAPE ADAPTOR  
VESA 1000 x 600 mm



FRONT VIEW PORTRAIT ADAPTOR  
VESA 800 x 1000 mm

Model Number: AV - 03

## Product Specifications:

Dimensions (WxHxD): 39.8"x29.5"x3.8"  
1012x750x97.5mm  
Product weight: 30kg/66lbs  
Load capacity: 130kg/280lbs  
Finish: Powder Coat  
Colour: White

## Package Specifications:

Package size (WxHxD): 42.5"x31.5"x5.0"  
1080x800x126mm  
Package ship weight: 32kg/70lbs  
Package content: 1 No-Touch Mount  
Units in Package: 1 each

## AlpsAV

📍 Austria | Netherlands | USA: Nevada & New York | Hong Kong | Vietnam

🌐 [www.AlpsAV.com](http://www.AlpsAV.com) ✉ [contact@AlpsAV.com](mailto:contact@AlpsAV.com) ☎ [+43 5572 424 053](tel:+435572424053) 🇺🇸 [+1 800 363 2918](tel:+18003632918)