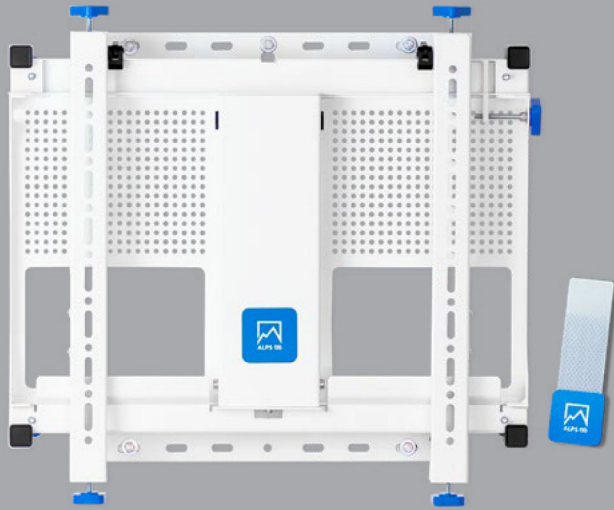


# No-Touch Wall Mount



AlpsAV introduces the No-Touch Mount, patent pending innovation for digital signage screens.

Effortlessly, move the screen Out, In, Stop and Reverse with the ultra-thin universal controller. One controller works with all AlpsAV No-Touch Mounts – making it quick and easy to service any screen in the display – no need to figure out which cord to pull or how to access the screen.

Simply slide the controller (0.016" / 0.4mm) below the screen and get to work. The 8-point micro-adjustments, large comfortable handwheels and high contrast White finish save you time and effort.



Patent Pending

In/Out/Stop/Reverse

No-Touch

8-point Micro-Adjust

White Finish

Impact Detection

Easy Access

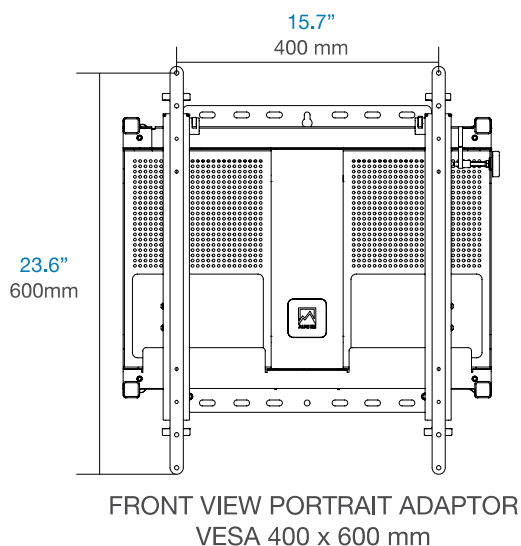
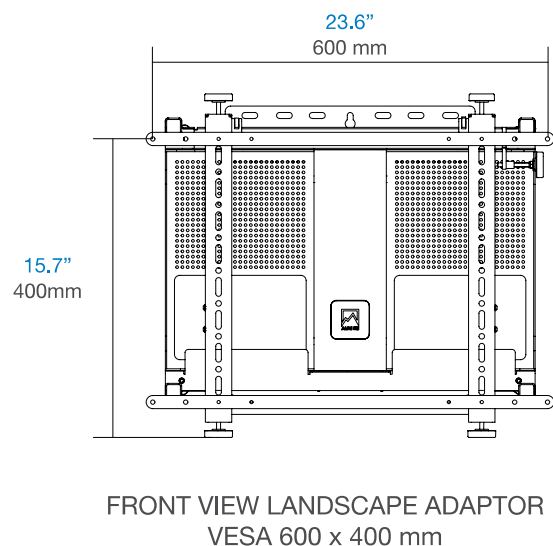
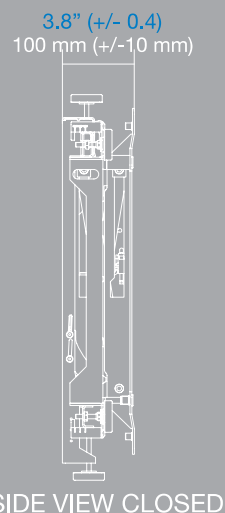
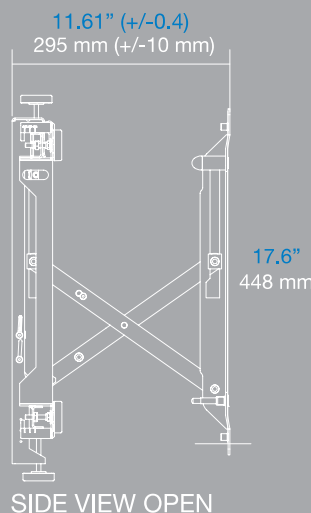
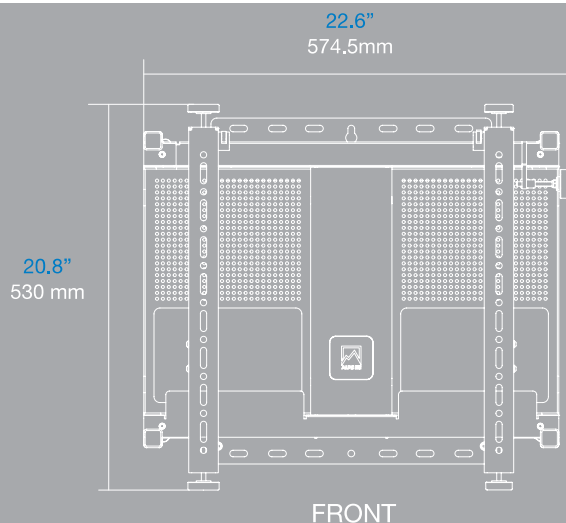
- Patent pending No-Touch digital signage mount.
- Move IN, OUT, STOP and REVERSE, as you choose.
- No-Touch reduces risk of damaging screen, and no fingerprints to clean.
- 8-point Micro-Adjust using large, comfortable hand wheels, no tools required.
- White finish increases contrast and visibility for faster and easier installations.
- Impact detection for additional safety.
- Redundant back-up release for extreme reliability.
- Central X-arm design makes side access open and easy, increasing available wall space.
- Simply power-off to lock in position.
- Portrait or Landscape orientation.
- All screen mounting hardware and spacers included.
- Equipment rack built in for easy accessory connections.
- VESA 600 x 400mm (P) or 400 x 600mm (L) adaptor included.
- 46" screens and larger up to 40kgs/88lbs.



**RoHS**  
2002/95/EC



# No-Touch Wall Mount



**Model Number: AV01**

**Product Specifications:**

Dimensions (WxHxD): 22.6" x 20.8" x 3.8"  
574.5 x 530 x 97.5mm

Product weight: 29lbs / 13kgs

Load Capacity: 88lbs / 40kgs

Finish: Powder Coat

Color: White

**Package Specifications:**

Package size (WxHxD) 26" x 23" x 4.75"  
650 x 575 x 120mm

Package ship weight: 32lbs / 14.5kgs

Package content: 1 No-Touch Mount

Units in package: 1 Each

**AlpsAV**

📍 Austria | Netherlands | USA: Nevada & New York | Hong Kong | Vietnam

🌐 [www.AlpsAV.com](http://www.AlpsAV.com)    ✉ [contact@AlpsAV.com](mailto:contact@AlpsAV.com)    📞 EU +43 5572 424 053    🇺🇸 +1 800 363 2918