



NO-TOUCH WALL MOUNT INSTALLATION GUIDE & PARTS LIST

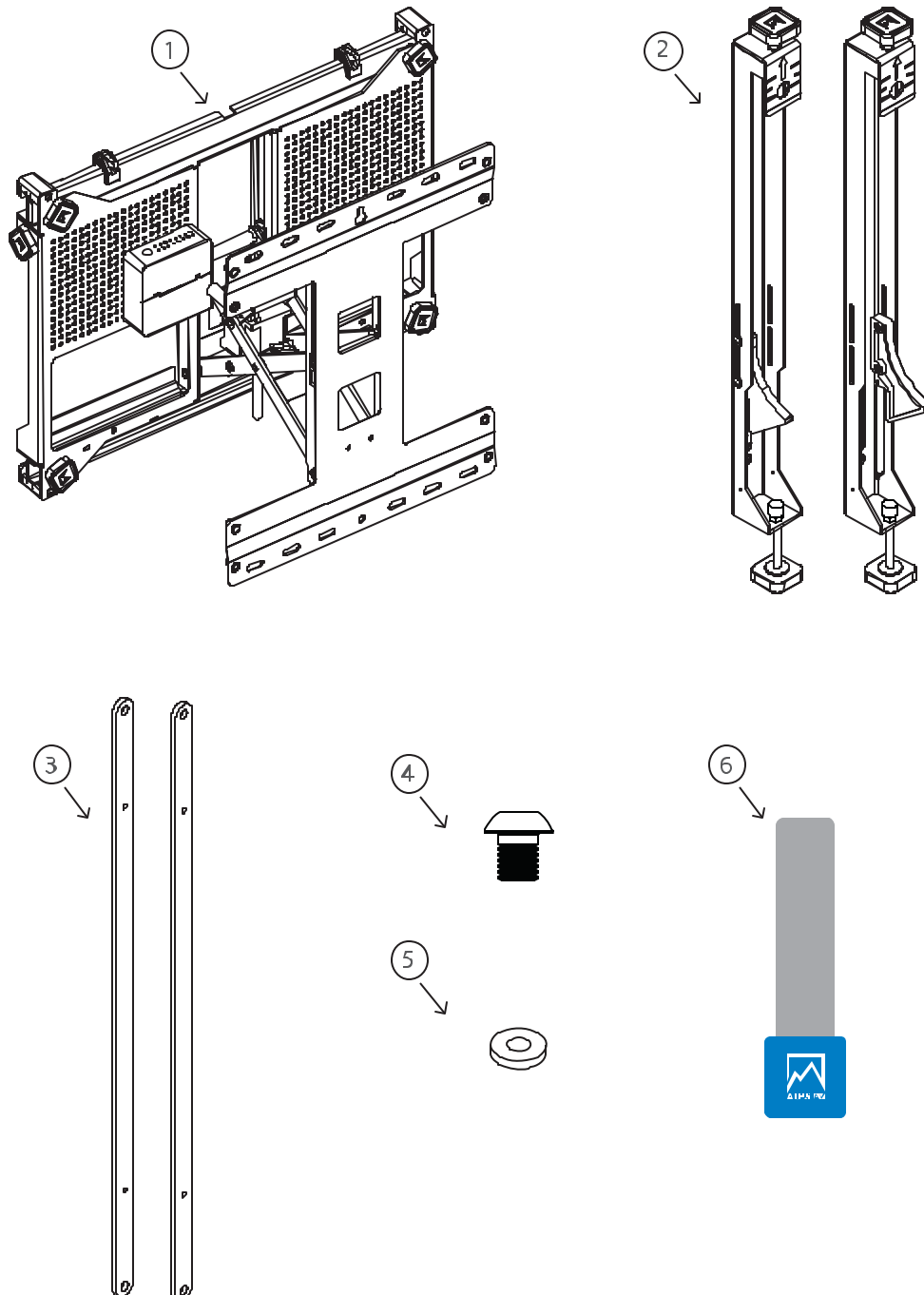


PATENT PENDING

Please read all pages prior to installation!

PARTS LIST

REF	PART NAME	QTY	REF	PART NAME	QTY
1	No-Touch Mount	1	4	M6 x 10mm Screws	4
2	Interface Arms	2	5	M6 Washers x 2mm	4
3	VESA 600mm Extension Arms	2	6	Universal Controller	1



INTERFACE KIT

REF	PART NAME	QTY	REF	PART NAME	QTY
A	M6 x 16mm Screws	4	G	M8 x 5mm Spacers	4
B	M6 x 25mm Screws	4	H	M8 x 13mm Spacers	4
C	M6 x 40mm Screws	4	I	M8 x 25mm Spacers	4
D	M8 x 16mm Screws	4	J	M6 washers (for parts A-C)	4
E	M8 x 25mm Screws	4	K	M8 washers (for parts D-F)	4
F	M8 x 40mm Screws	4			



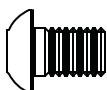
A



B



C



D



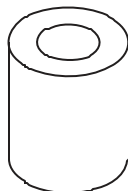
E



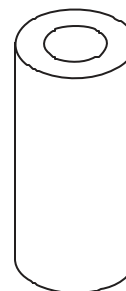
F



G



H



I



J



K

INSTALLATION SAFETY INSTRUCTIONS

This mount is intended for use with screens up to 40kg/88lbs. Exceeding this weight can result in instability causing damage or injury. Always use caution when installing.

Do not attempt to install this product until all instructions and warnings have been read and properly understood. Please keep these instructions for future reference.

Please check carefully to make sure there are no missing or defective parts. Defective parts must never be used. AlpsAV, its distributors and dealers are not liable or responsible for damage or injury caused by improper installation, improper use or failure to observe these safety instructions. In such cases, all guarantees will expire.

General

AlpsAV recommends that a professional AV installer or other suitably qualified persons, install this product. Great care must always be taken during installation as AV equipment is fragile, possibly heavy and easily damaged.

If you do not fully understand the instructions or are not sure how to install this product safely, then please consult a professional for advice and/or to install this product for you. Failure to mount this product correctly may cause serious injury or death both during installation and at any time thereafter.

Do not mount any AV equipment that exceeds the specific weight limit of the product you are installing. This weight limit will be clearly stated on each product and its packaging and will vary from product to product.

Product location

Please pay careful attention to where this product is located. Check load capacity of wall prior to installation as some walls are not suitable for installation. Designed for indoor use, this mount is suitable for public or home installation. If located in a public area, ensure the product is out of the immediate reach of people. If any AV equipment is to be suspended over the likely path or location of people, then great care must be used, ensuring all equipment is securely fixed to a wooden stud, concrete block or other permanent structure.

Installing on drywall boards alone will not support the weight of most AV equipment.

When drilling holes in walls it is essential to avoid contact with electrical cables, water or gas pipes, contained within. Use of a good quality live wire detector and hidden abscess locator is therefore recommended.

Only drill into structures when you are sure it is safe to do so.

Fixing hardware

It is highly recommended that all wall fixings be used where supplied and that the purpose of all hardware is fully understood.

In some cases, more AV equipment fixing hardware will be supplied to accommodate different models of equipment and set up configurations.

The installer must be satisfied that any supplied fixing hardware is suitable for each specific installation. If any fixing screws or included hardware are deemed not sufficient, for a safe installation, then please consult a professional or your local hardware store.

Hazard limitation

When routing cables take advantage of any built-in cable management features that the product might provide and ensure that all cables are properly routed and secure. Check to see that any moving aspect of the product can do so unhindered by any cabling. Do not block the sensor beam area of the No-Touch Mount.

Some products have moving parts and the potential to cause injury through the crushing or trapping of fingers or other body

parts, exercise care and read all warnings.

Pay close attention to all moving parts, especially when assembling, installing and servicing. Immediately after installation, double check that the work done is safe and secure. Double check all necessary fixings are present and suitably tightened.

It is recommended that **periodic inspections** (not greater than 6 months apart) of the product and its fixing points are made, to ensure safety is maintained. If in doubt, consult a professional AV installer or other suitably qualified person.

Periodic Inspection Record:

DATE	INSPECTED BY	LOCATION	SIGNED

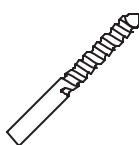
CONTENTS

Parts List	2-3
Installation Safety Notes	4-6
Installation Guide	
Installation Instruction	8-14
Self Help Guide	15
AlpsAV Contact	15
Product Dimension	16

Installation tools required



Drill



Drill bit



Pencil



Level

WARNING

ES

AlpsAV Ltd. recomienda que un instalador de audio y video profesional u otra persona debidamente cualificada instalen este producto. AlpsAV Ltd, sus distribuidores y concesionarios no se hacen cargo ni se responsabilizan de ningún daño o lesión provocados por una instalación inapropiada. Este producto se debe montar en una estructura adecuada y se debe utilizar soportando solamente hasta el peso máximo indicado.

FR

AlpsAV Ltd. recommande de confier l'installation de ce produit à un installateur AV professionnel ou à une autre personne dûment qualifiée. AlpsAV Ltd, ses distributeurs et ses revendeurs ne sauraient être tenus responsables de tout dégât ou de toute blessure résultant d'une installation incorrecte. Ce produit doit être monté sur un support approprié et utilisé dans la limite du poids maximum indiqué.

DE

AlpsAV Ltd. empfiehlt, dass dieses Produkt durch einen qualifizierten AV-Techniker oder eine andere Person mit geeigneter Qualifikation installiert wird. AlpsAV Ltd, ihre Distributoren und Händler können nicht für durch fehlerhafte Montage verursachte Beschädigung oder Verletzung haftbar bzw. verantwortlich gemacht werden. Dieses Produkt muss auf einem geeigneten Untergrund montiert werden und darf nur bis zum angegebenen Höchstgewicht verwendet werden.

IT

AlpsAV Ltd. consiglia di affidare l'installazione di questo prodotto a un installatore specializzato o ad altra persona adeguatamente qualificata. AlpsAV Ltd. i suoi distributori e rivenditori non accettano alcuna responsabilità nei riguardi di eventuali danni o infortuni causati da un'errata installazione. Questo prodotto deve essere fissato a una struttura idonea e utilizzato unicamente sino al peso massimo indicato.

NL

AlpsAV Ltd. adviseert om dit product te laten installeren door een professionele AV-installateur of andere hiervoor gekwalificeerde persoon. AlpsAV Ltd. haar distributeurs en dealers zijn niet aansprakelijk of verantwoordelijk voor schade of letsel die is veroorzaakt door onoordeelkundige installatie. Dit product moet worden gemonteerd aan een geschikte constructie, waarbij het aangegeven maximum gewicht niet mag worden overschreden.

PT

A AlpsAV Ltd. recomenda que a instalação deste produto seja efectuada por um instalador de AV instalador de AV profissional ou outra pessoa devidamente habilitada. A AlpsAV Ltd. e os seus distribuidores e concessionários não são responsáveis por danos ou lesões causados por uma instalação incorrecta. Este produto tem de ser montado numa estrutura adequada e utilizado somente até ao peso máximo indicado.

PL

Firma AlpsAV Ltd. zaleca, aby ten produkt był instalowany przez profesjonalnych instalatorów AV lub inny odpowiednio przeszkolony personel. Firma AlpsAV Ltd, jej dystrybutorzy i dealerzy nie ponoszą odpowiedzialności za uszkodzenia lub obrażenia ciała powstałe w wyniku nieprawidłowej instalacji. Niniejszy produkt musi być zamontowany na odpowiedniej powierzchni, a podczas użycowania nie wolno przekraczać podanego maksymalnego obciążenia.

CS

Společnost AlpsAV Ltd. doporučuje provést instalaci tohoto produktu instalátora AV či jinak způsobilé osoby. Společnost AlpsAV Ltd, její distributoři a prodejci nenesou prostřednictvím odborného odpovědnost za škody nebo zranění způsobená nevhodnou instalací. Tento výrobek je nutno umístit do vhodné konstrukce a používat jen po uvedené maximální výšce.

RU

Компания AlpsAV Ltd рекомендует чтобы установка данного изделия производилась инженером по установке аудио-видеотехники или другим специалистом с соответствующей квалификацией. Компания AlpsAV Ltd. ее дистрибьюторы и дилеры не несут ответственности за повреждения или травмы, полученные в результате неправильной установки. Данное изделие должно

Warranty period : 2 Years

This AlpsAV product, delivered new, in the original carton to the original consumer purchaser, is warranted by AlpsAV against manufacturing defects in materials and workmanship for the warranty period above. This warranty begins on the original date of purchase. To receive warranty service, the purchaser must contact AlpsAV for problem determination and service procedures. Warranty service can only be performed by a AlpsAV authorized service centre. The original dated bill of sale must be presented upon request as proof of purchase to AlpsAV authorized service centre.

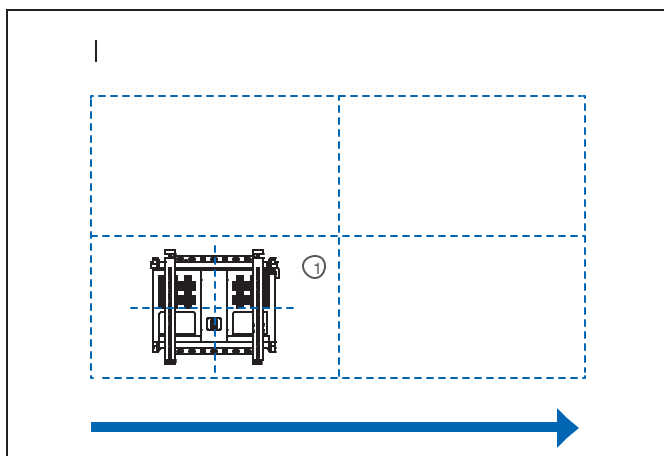
INSTALLATION GUIDE

General recommendations

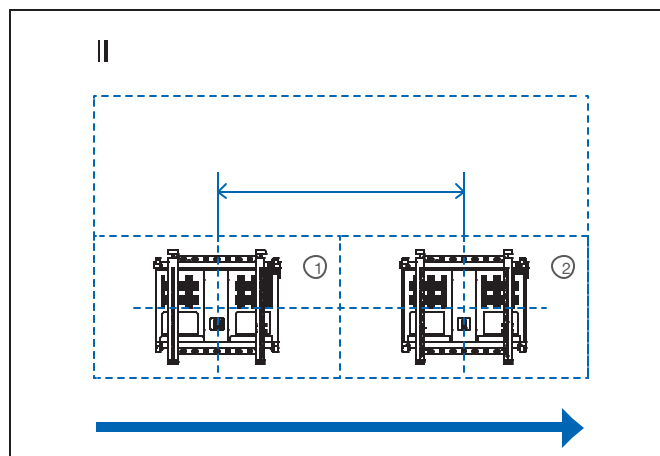
Check the wall structure being mounted to. Use a level to ensure the wall is flat and note areas of concern. Use washers, shims or spacers between the wall and the mount to create a flat surface for mounting. A flat mount will make adjustments much easier and faster when aligning screens.

Note: The AlpsAV No-Touch Mount is **ONLY** suitable for installation perpendicular to the floor in portrait or landscape orientation. It is **NOT** suitable for angled or overhead mounting. For angled mounting please see Soft-Touch Mount on www.AlpsAV.com

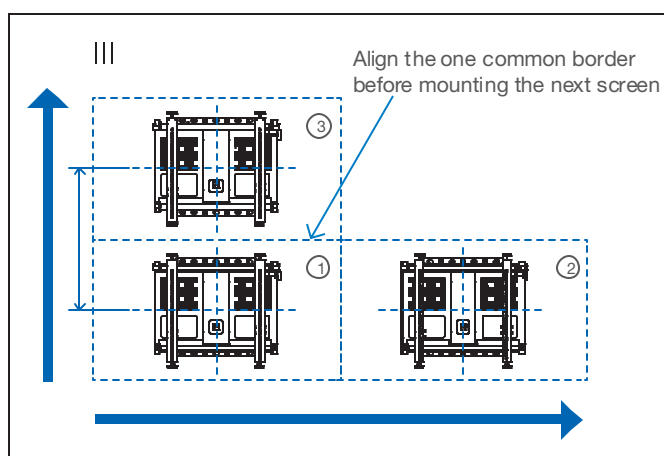
We recommend video walls start in a corner, we show starting at the bottom left then add the screens row by row, aligning the screens as you build. Also, make sure depth and lateral micro adjustments are centered before installation, making alignment quicker and easier.



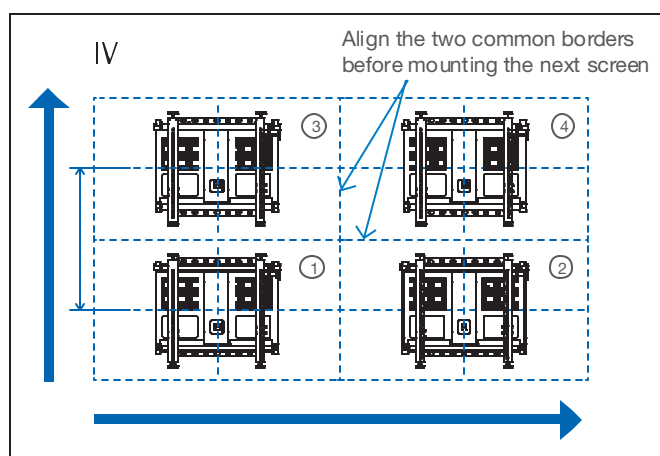
Start from the bottom corner of the video wall configuration.



Width of screen determines center to center distance for next horizontal mount location.



Height of screen determines center to center distance for next vertical mount location.



Build Horizontally first then add rows until all rows are completed.

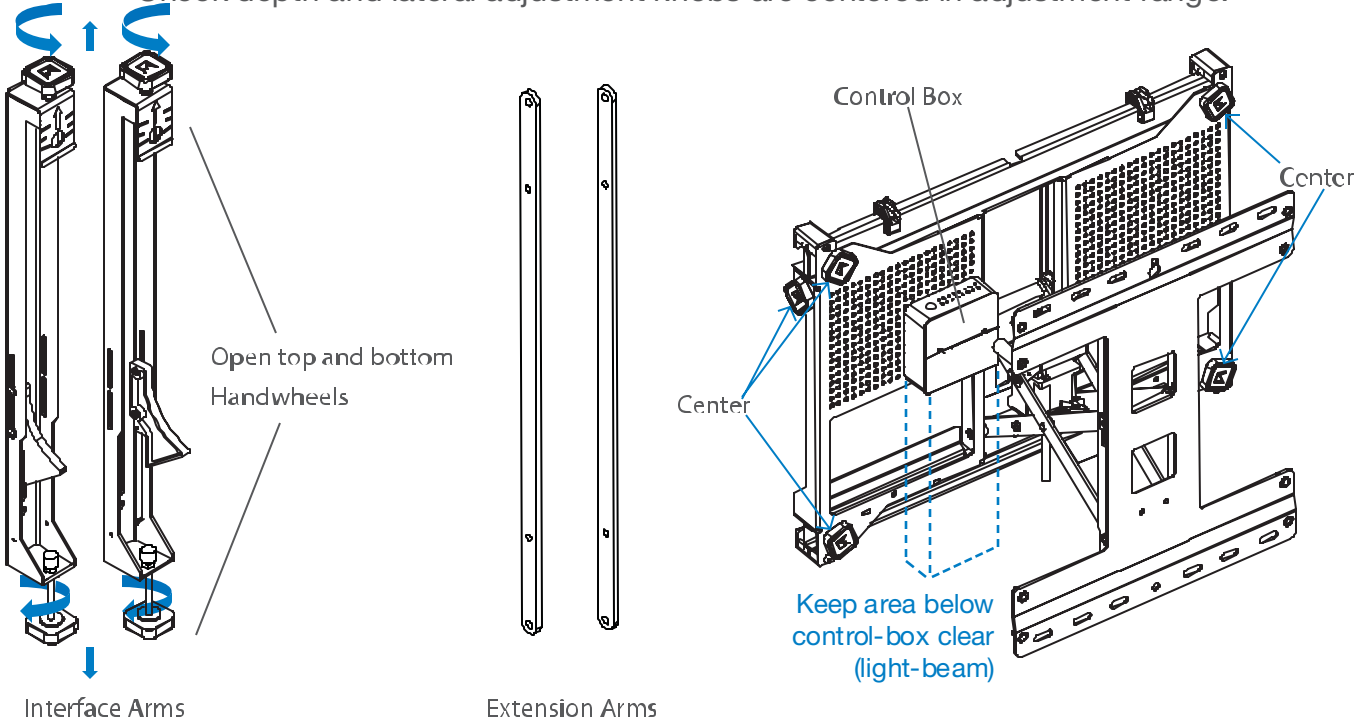
Note: Walls are built from different materials and require different wall bolts for best performance and safety. Please select suitable fixings or consult an expert for guidance.

INSTALLATION INSTRUCTIONS

Step 1

Unpack and check all parts

Open top and bottom handwheels on Interface Arms (closed for shipment).
Check depth and lateral adjustment knobs are centered in adjustment range.

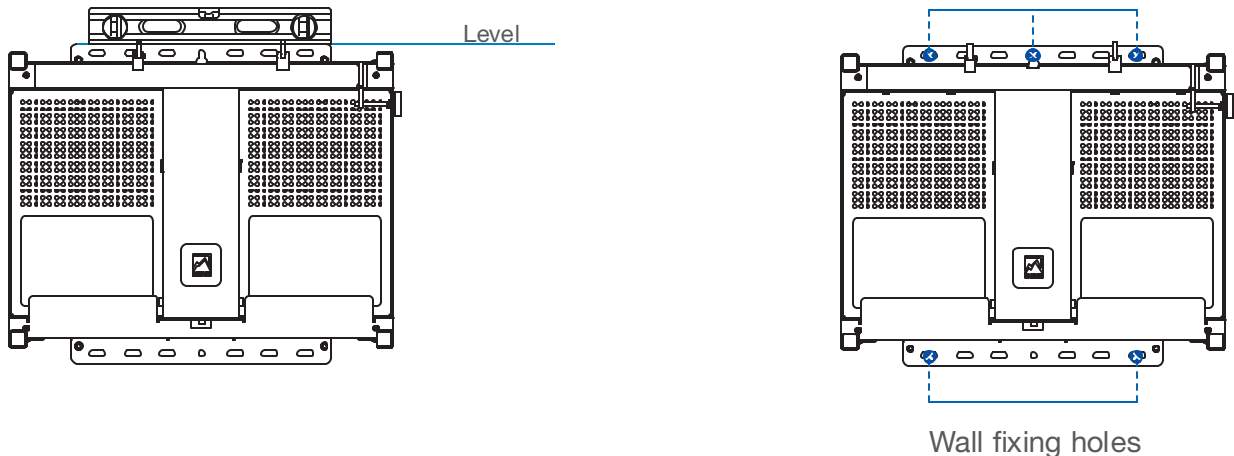


Step 2

Measure, mark and drill holes

Use level to check alignment.
Tighten all wall bolts (5 pcs recommended).
Do not hang screen on mount (until step 7).

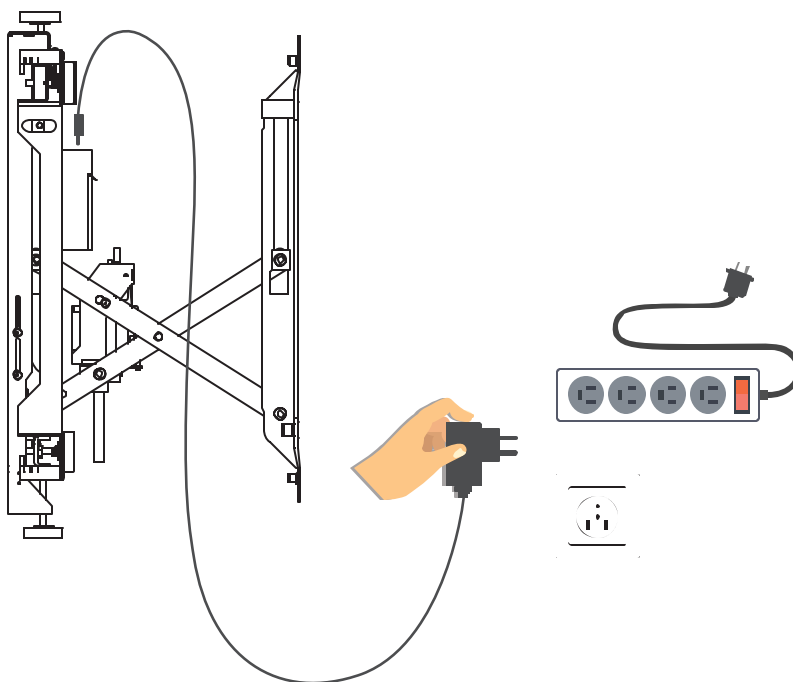
Use minimum 2 wall bolts (**3 recommended**) at Top and 2 wall bolts bottom of mount. Heavier screen should have 3 bolts including center top keyhole location.



Step 3 Connect the power supply to the control box and electrical socket

Only use the power supply provided. If not possible, contact us to ensure the appropriate replacement is used. Note: The use of 3rd party power supplies will void warranty!

Connect the power supply to the control box

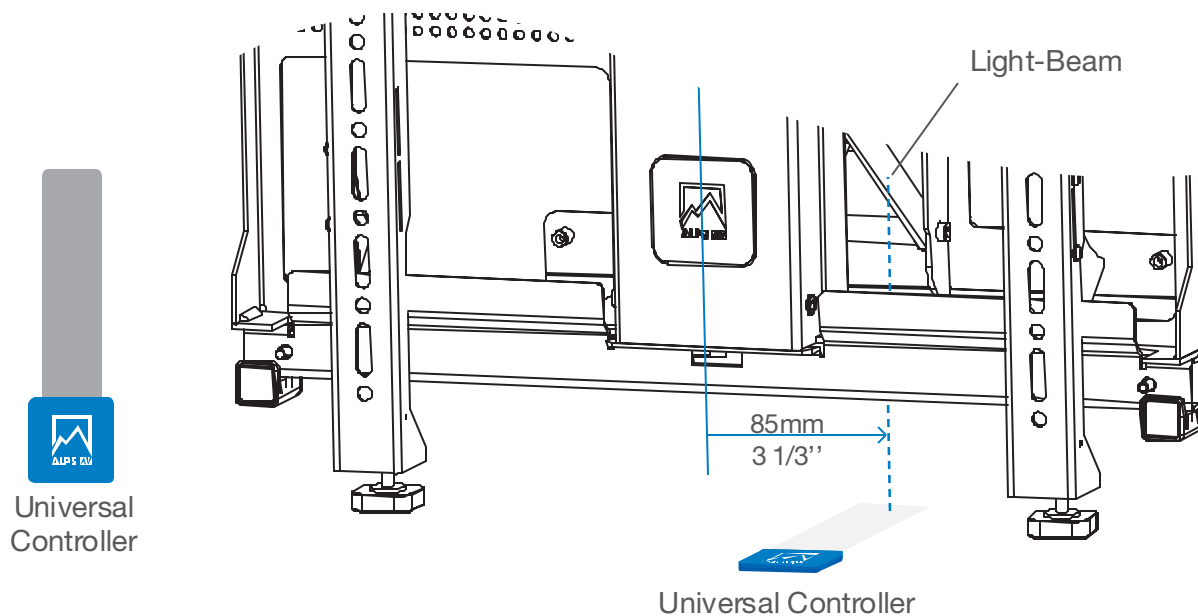


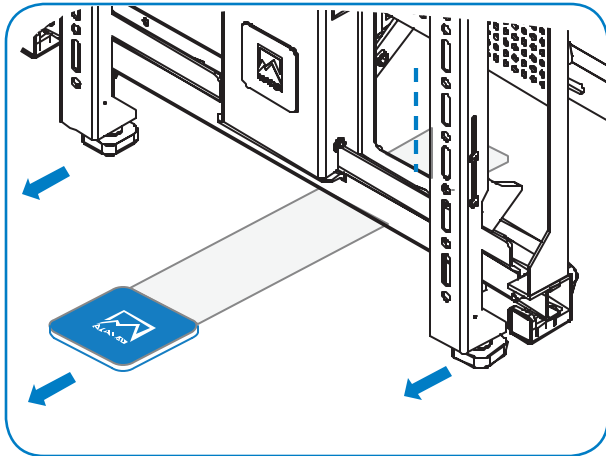
Note: Once the screens are installed aligned and closed, to prevent accidental movement of the Mount or electrical interference/damage, ensure that **Mount-dedicated** power strips or power supply is turned off/unplugged, until next service appointment.

Step 4 How to use Universal Controller to operate the Mount

The AlpsAV No-Touch Mount, allows the screen to move OUT and IN, without the need to touch the screen.

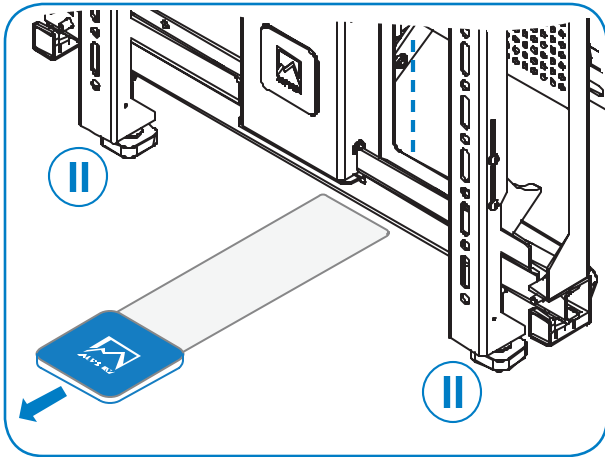
Position the control wand approximately 85mm (3 1/3") to the right of center of the mount (see below). The mount will slowly start to move OUT.





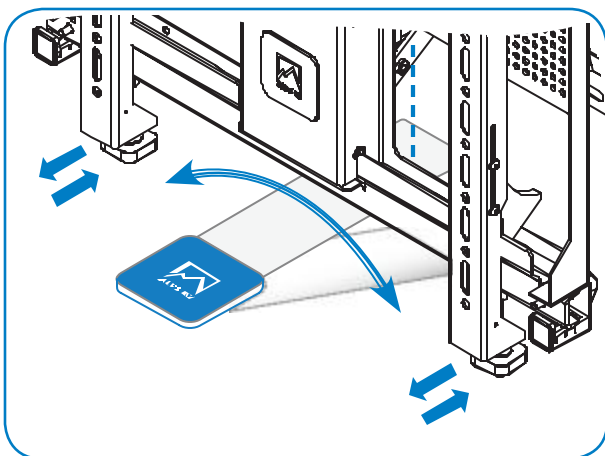
Move Universal Controller with the Mounts Movement

Once the Universal Controller is positioned below the light beam, the Mount will start moving. To keep the Mount moving, make sure you follow this movement also with the Universal Controller. If you leave the light beam, the Mount will STOP.



To STOP the Mount, remove the Universal Controller from the light beam

The Mount will only move as long the Universal Controller is below the light beam. Once removed from light beam, the Mount will STOP



To CHANGE the Mounts DIRECTION, quickly SWIPE the Universal Controller through the light beam

You will hear a signal:
 2 beeps: move IN
 3 beeps: move OUT

After hearing the signal, position the Universal Controller again below the light beam to move the Mount in the chosen direction.

When fully closed or open, it will not beep as it can only move one direction.

Position of the light beam

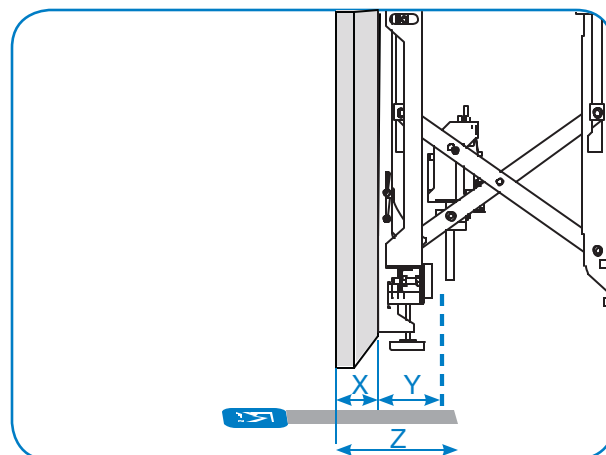
X = Depth of the screen

Y = 85mm

Z = X + Y + 10mm

Z* = Depth controller needs to be from front of screen to operate the Mount.

* some users mark the controller to show this distance for easier use

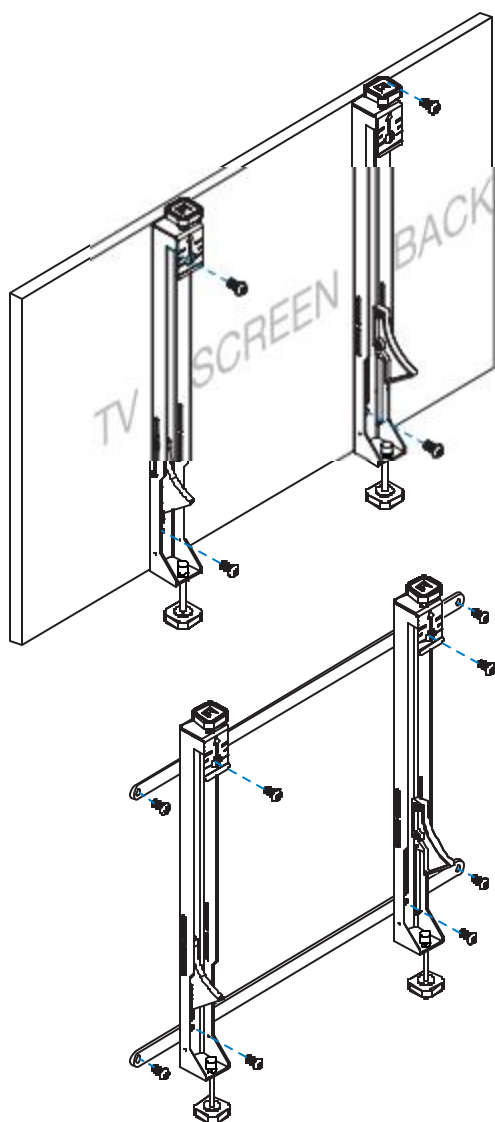


Step 5

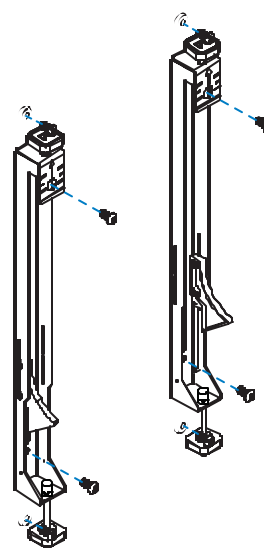
Attach the Interface Arms to the screen (Landscape or Portrait)

The interface arms fit from VESA 200 x 100mm through 400 x 400mm.

For 600 x 400mm or 400 x 600mm use supplied extension arms.



For VESA 600x400 Landscape

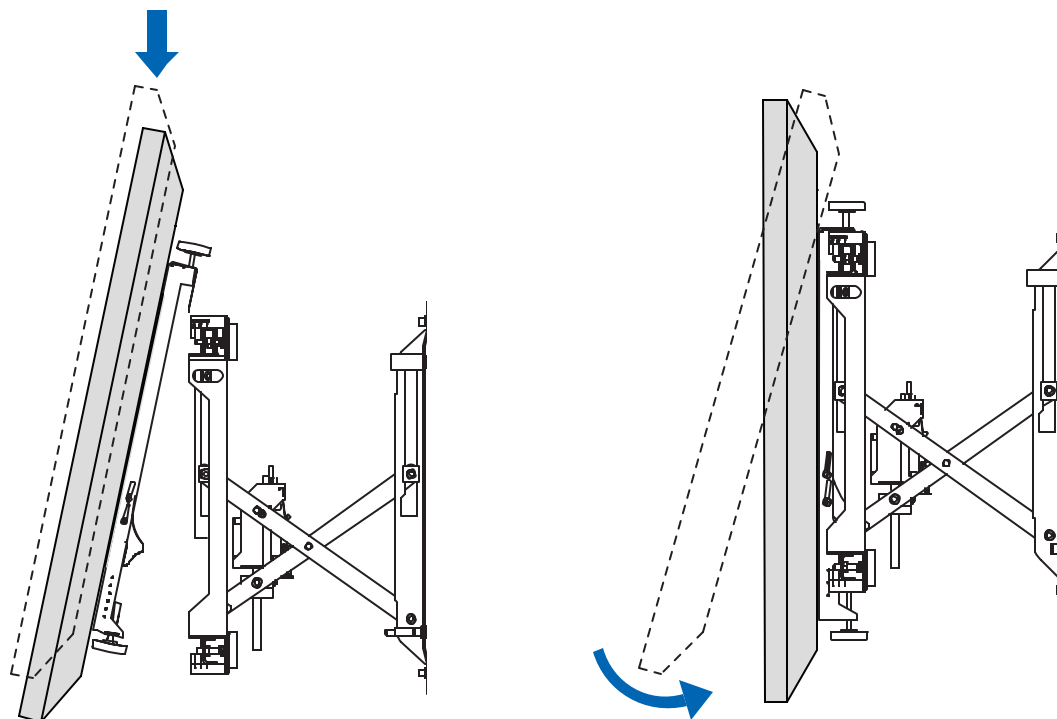


For VESA 400x600 Portrait

Step 6

Connect screen to Mount

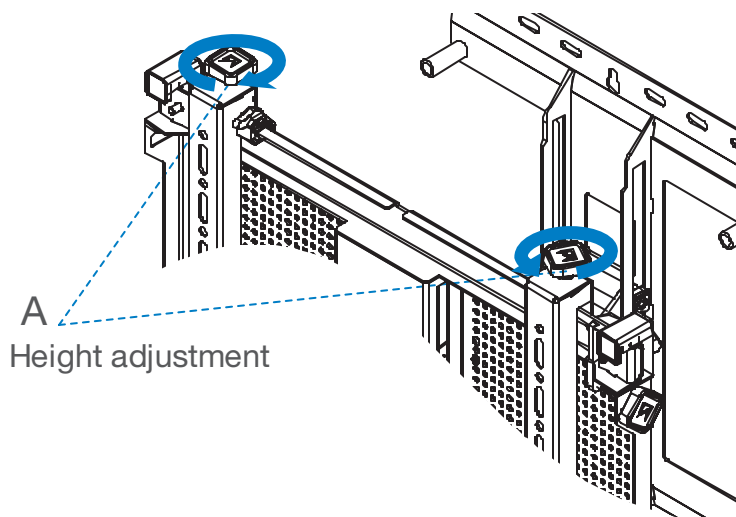
At slight angle, hook arms onto top of frame, then flatten screen onto Mount base until it clicks into position.



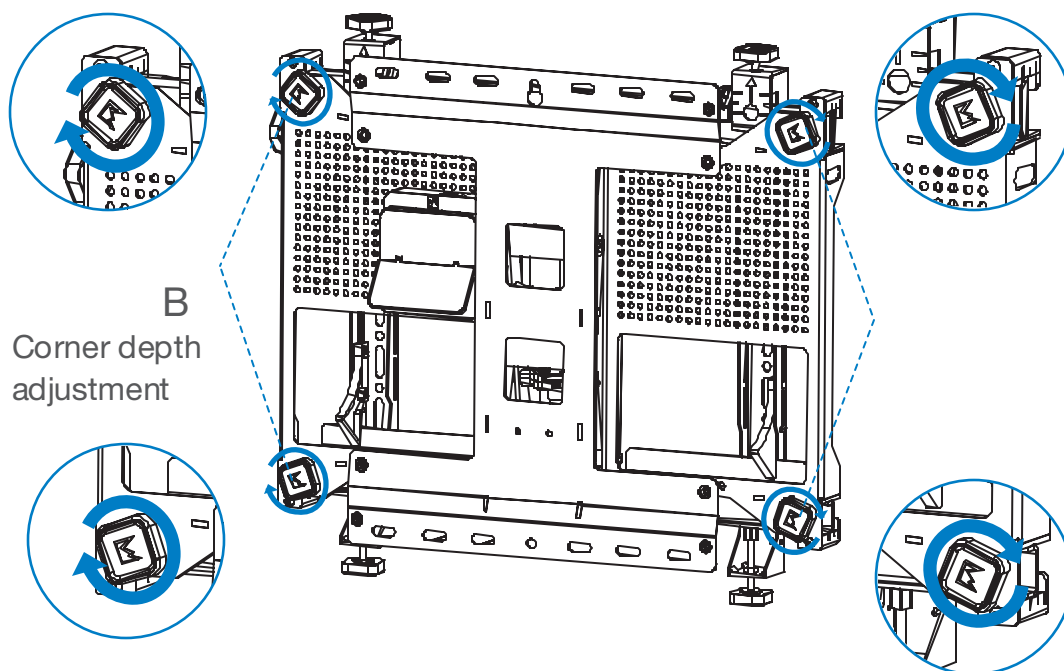
Step 7

Make Adjustment

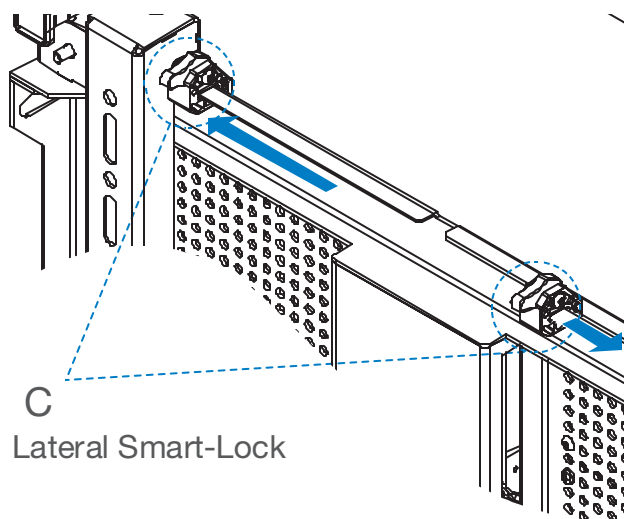
- A : Height adjustment
- B: Corner depth adjustment
- C: Lateral macro adjust
- D: Lateral micro adjustment
- E: Locking handwheels (must be loosened for any adjustments)



Each time you add a screen to the video wall make needed adjustments.

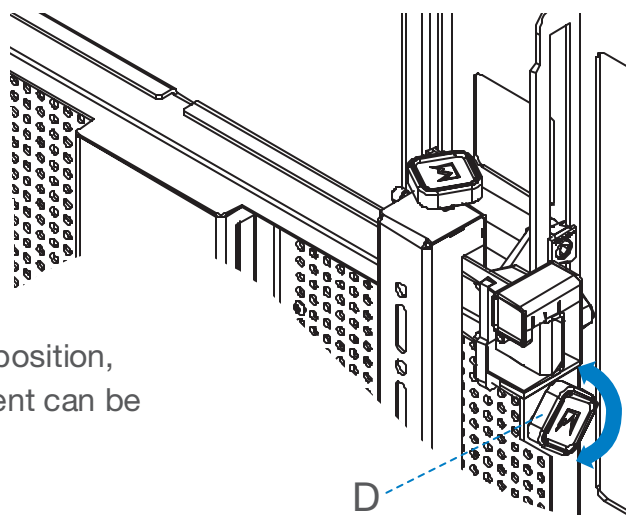


B
Corner depth adjustment



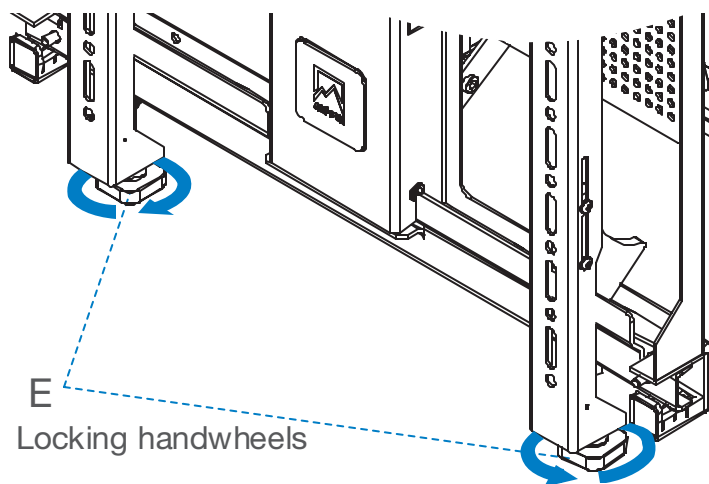
C
Lateral Smart-Lock

- 1) unlock lateral Smart-Lock,
- 2) slide screen into position,
- 3) slide Smart-Lock to interface arm,
- 4) lock Smart-Lock.

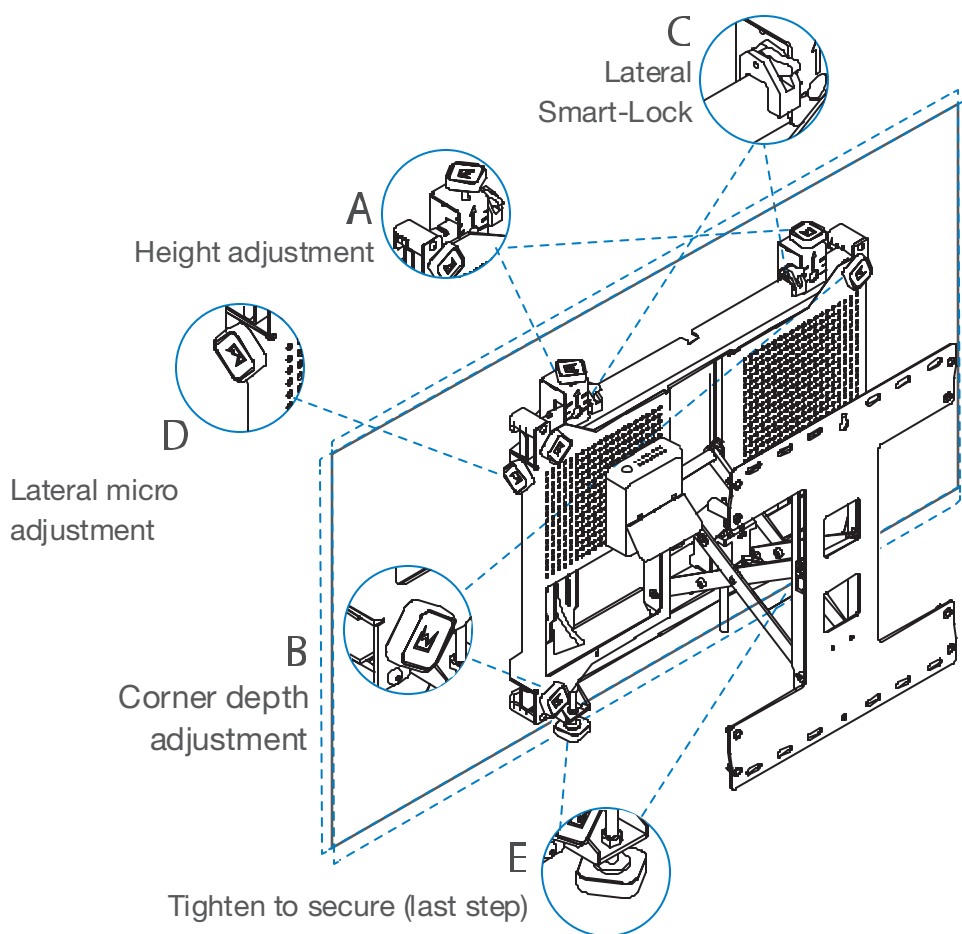


D
Lateral micro adjustment

1) After Smart-Lock is in position, the lateral micro adjustment can be used.



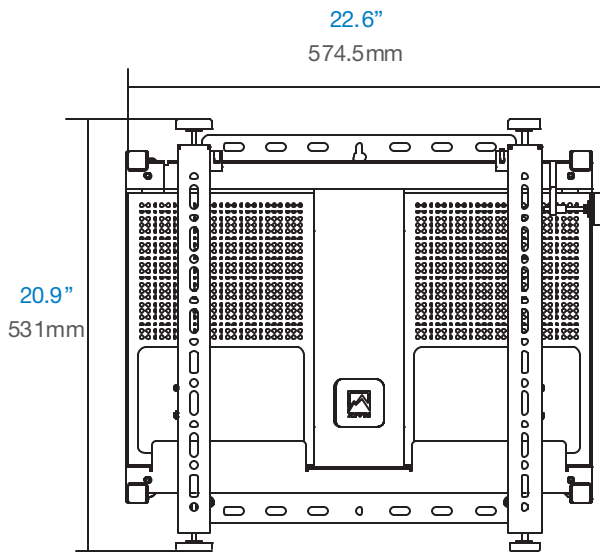
***Note:** Locking handwheels must be loosened before any adjustments can be made. Once all adjustments are done, the locking handwheels can be tightened.



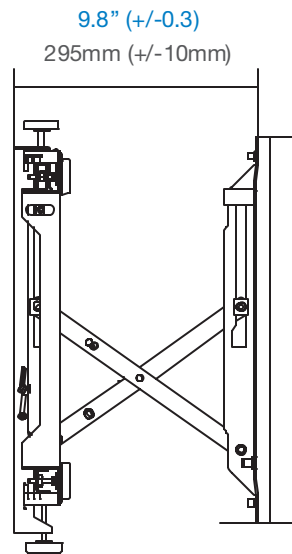
SELF HELP GUIDE

Issues	Solutions
<p>Motor Starts then stops</p>	<p>Controller not remaining in correct location - if the Controller is on the edge of the light beam, as the controller moves forward and backward with the moving mount, it can move out of the beam and stop. Move the controller left and right to check the beam location. Also note, the beam moves forwards and backwards with the mount, so move controller as the screen moves.</p> <p>OR: Impact Detection is triggering. Impact detection exists but is variable depending on several factors including screen weight and size, where the impact occurs and if there is vibration. The motor will stop and when you place the controller back into the beam it will have reversed direction.</p>
<p>Motor moves slowly</p>	<p>When first started and if not run for some time the motor might automatically calibrate its location. This is normal and once it has gone through a full cycle it will resume normal operation.</p>
<p>Motor does not start</p>	<p>Check there is POWER. It is common to switch off or unplug power once set-up is finished, so check power is on. Check controller is in beam and move out of beam and back into beam.</p>
<p>Handwheels are hard to turn</p>	<p>Are handwheels at base of screen arms loosened? If you are reaching the end of the range this will also occur. Make adjustments elsewhere to free up additional adjustment range.</p>
<p>Contact Us</p>	<p>E-mail: contact@alpsav.com</p> <p>Telephone Contacts</p> <p>USA Toll Free - +1 800 363 3918</p> <p>USA West Coast - +1 714 333 0929</p> <p>USA East Coast - +1 716 242 1991</p> <p>Europe: Austria - +43 5572 424 053</p> <p>For most up to date contact information please refer to our website at www.AlpsAV.com</p>

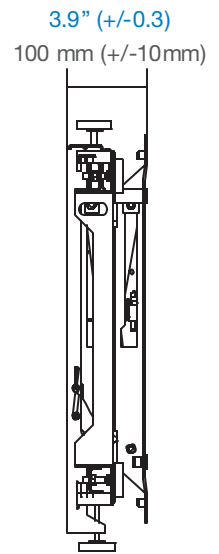
PRODUCT DIMENSIONS AV01



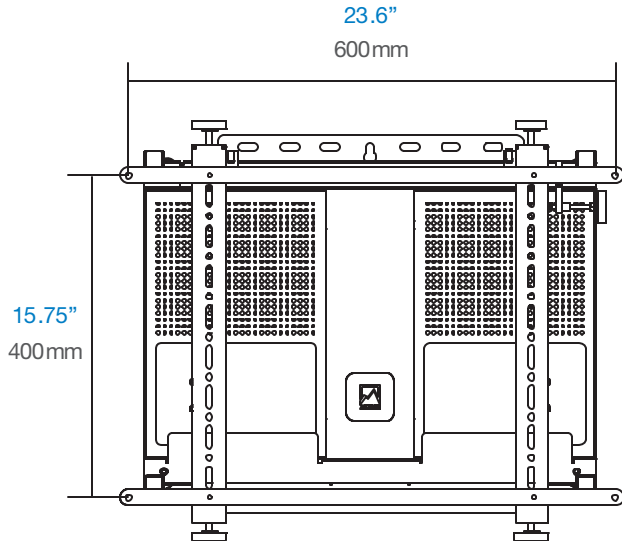
FRONT



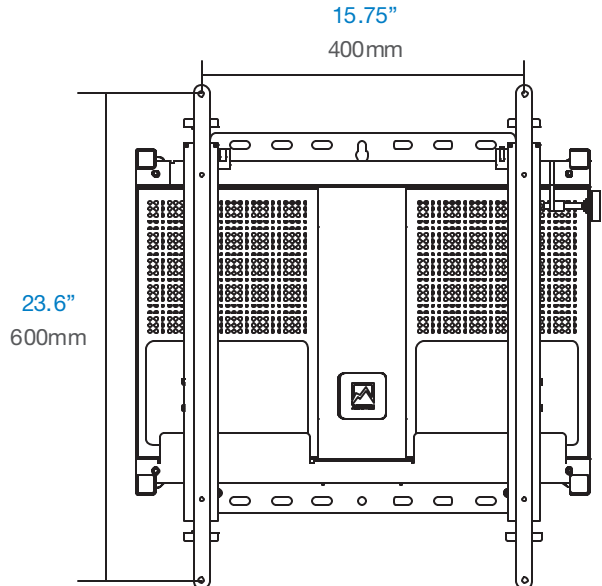
SIDE VIEW OPEN



SIDE VIEW CLOSED



FRONT VIEW LANDSCAPE ADAPTOR
VESA 600mm X 400mm



FRONT VIEW PORTRAIT ADAPTOR
VESA 400mm X 600mm

AlpsAV

📍 Austria | Netherlands | USA: Nevada & New York | Hong Kong | Vietnam

🌐 www.AlpsAV.com

✉ contact@AlpsAV.com

☎ EU +43 5572 535 30-3

☎ USA +1 800 363 2918